

C-band ASE Light Source

RD-ASE-M3-C-1.5dB-23Bm-0.9L-1m-FC/APC

RD.J01.0335-000

● Optical Specifications:

Parameter	Min.	Typ.	Max.	Unit	Remark
Spectral Shape	Flattened			-	
Working Wavelength	1527	-	1565	nm	
Output Power	-	23	23	dBm	
Spectrum Width	-	38	-	nm	@+25°C
Spectral Flatness	-	1.5	3.0	dB	@+25°C、 @output=23dBm
Short-term Power Stability	-	-	0.05	dB	@+25°C
Long-term Power Stability	-	-	0.1	dB	@+25°C
Control Mode	APC				

● Working Environment:

Parameter	Min.	Typ.	Max.	Unit	Remark
Working Temperature	-10	-	+60	°C	Temperature Tolerance±2
Storage Temperature	-40	-	+85	°C	Temperature Tolerance±2
Relative Humidity	5	-	90	%	

● Electrical Specifications:

Parameter	Min.	Typ.	Max.	Unit	Remark
Power Supply	+4.75	+5	+5.25	V	
Power Consumption at Room Temperature	-	-	10	W	
Power Consumption at Full Temperature	-	-	15	W	

● Interface

Connector Type: 26 pin connector

Pin	Name	Attributes	Level	Description
1	VCC_3.3V	P		3.3v Power Supply
2	VCC_3.3V	P		3.3v Power Supply
3	GND	P		GND
4	GND	P		GND
5	NC	F		Reserved
6	NC	F		Reserved
7	NC	F		Reserved
8	NC	F		Reserved
9	Output_Alarm	O	LVTTL	Output Power Alarm
10	Input_Alarm	O	LVTTL	Input Power Alarm
11	PumpTem_Alarm	O	LVTTL	Pump Temperature Alarm
12	Pump_CurrentAlarm	O	LVTTL	Pump Current Alarm
13	NC	F		Reserved
14	ModuleTem_Alarm	O	LVTTL	Module Temperature Alarm
15	NC	F		Reserved
16	Pump-ON/OFF	F	OFF	Low Level Pump off
17	NC	F		Reserved
18	Reset	F		External Reset Input
19	GND	P		GND
20	GND	P		GND
21	RXD	I	RS232	Serial Data Input
22	TXD	O	RS232	Serial Data Output
23	GND	P		GND
24	GND	P		GND
25	VCC_3.3V	P		3.3v Power Supply
26	VCC_3.3V	P		3.3v Power Supply

Note1: P: Power; I: Input; O: Output; F: Float.

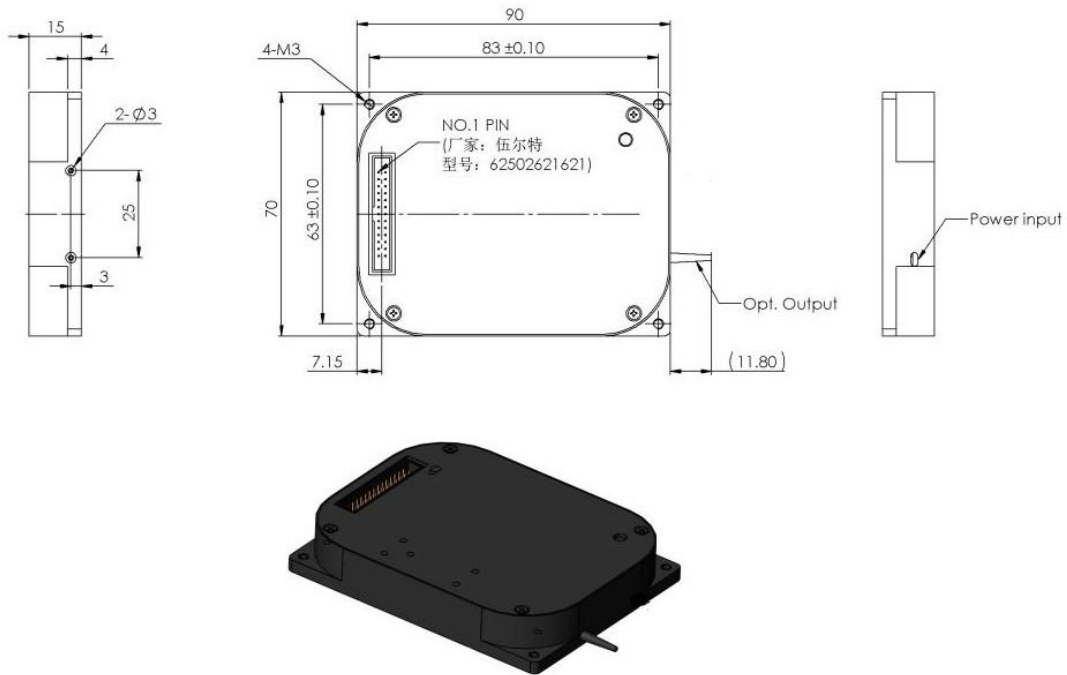
Note2: Alarm message when all output alarm pins are low.

Note3: External reset input active low.

Note4: 16-pin low level pump off.

● Mechanical Structure

Dimensions, LxWxH: 90*70*15mm±0.2mm



● Pigtail:

Item	Specifications	Remark
Fiber Type	SMF 900um	
Fiber Length	1000±2mm	Extra-structural
Fiber Connector	Input/Output: FC/APC	

● Software Parameter Setting Range and Default State:

Parameter	Min.	Default	Max.	Unit
High Output Optical Power Alarm Threshold	13	23.5	23.5	dBm
Pump Bias Current	-	-	1.2*EOL Current	mA
Output Optical Power	13	23	23	dBm
High Module Temperature Alarm Threshold	50	80	80	°C
Pump on-off Status	NC	OFF	NC	-
Working Mode	NC	APC	NC	-
Defalut Mode	-	23	-	dB

- Reading Accuracy of Parameters in the software:

Parameter	Min.
Pump Bias Current	0.1mA
Configured Output Optical Power	0.1dBm
High Module Temperature Alarm Threshold	0.1°C
Output Temperature(Pump)	0.1°C

- Serial Port Communication Protocol:

Item	Value	Unit
Baud Rate	9600	Bit/s
Data Bits	8	Bit
Stop Bit	1	Bit
Parity Bit	None	